



SIZE up to
8,000V 400A



Male Cable-Mount Coupler c/w LLI Systems



Female Equipment-Mount Coupler c/w Termination Cover



Female Coupler Adapter Box c/w HD Adapter Skid

INTRODUCTION

IMG offers a new line of Medium Voltage Cable Coupler Systems designed and manufactured for use in various mining (OP/UG), power generation, tunneling, and sea port/shore, operations to distribute power to mobile/portable, electric equipment. While maintaining current market standards, numerous design improvements have been integrated into the new coupler designs in order to increase safety, durability and reliability in the field.

PRODUCT FEATURES & BENEFITS

- Wedge type method of Wire Termination ensures a secure contact and connection between wires and pin/socket contacts.
- Stainless Steel Wire Spring Band on Female Sockets ensures a secure and lasting connection between male & female contacts.
- Silicon Stress Control Termination Kit is re-usable and provides air-free termination.
- Three separate Phase Insulators VS one moulded insulator piece
- Phase Insulators are made from rigid, thermoset material ensuring durability, heat resistance and high insulation properties.
- New type of Cable Entrance assembly is designed to seal and clamp cable to coupler with one action.
- Optional safety feature of the 8kV Coupler is a "Live-Line LED Indication System" that provided an operator with visible indication of an energized coupler.
- Optional 'Key Interlock' system is an additional optional feature in the 8kV systems that prevents coupler disconnection without prior switch house lock-out.
- Optional Safe Eye-Bolt System, ensures delay for pilot circuit separation prior to uncoupling thus reducing potential phase arcing.

PRODUCT OPTIONS

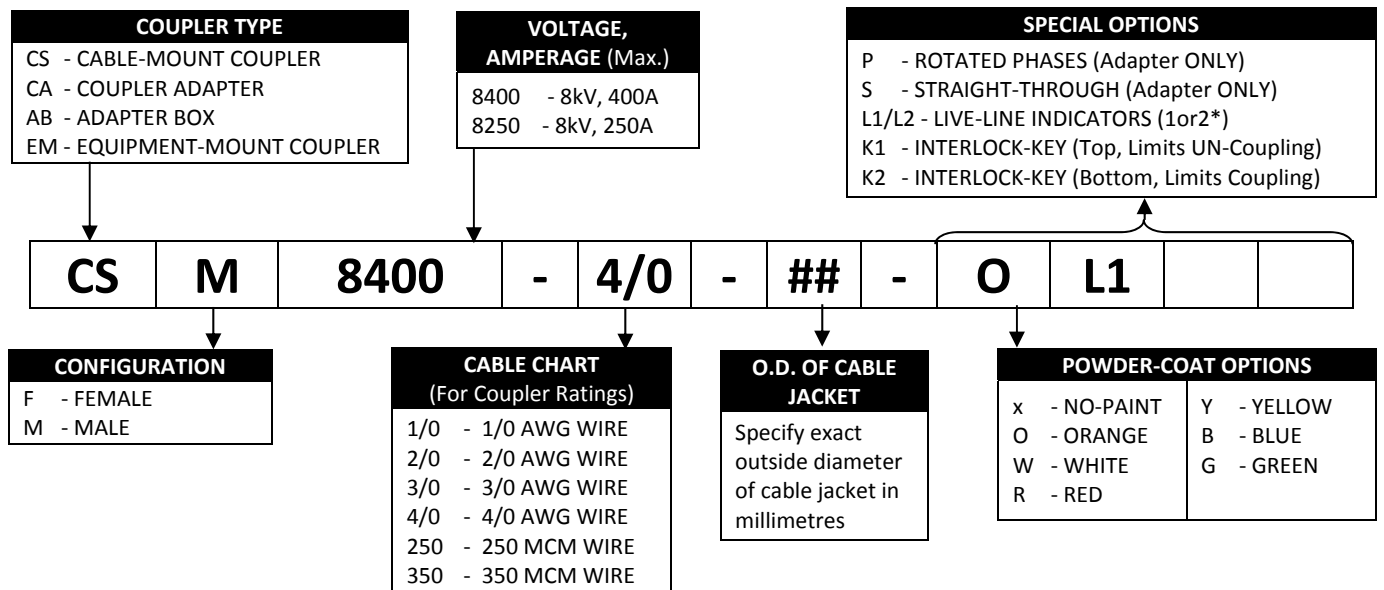
- Male-to-Female or Male-Adapter-Male versions available
- Durable, Powder-Coat Finish (various colors)
- Various Amperage (250 or 400A)
- LED Live-Line Indication System
- Safe Eye-Bolt System
- Standard and/or Lock-out Key Interlock Systems
- Adapter Boxes, Splitters & Adapter Bodies c/w Skid



PRODUCT SPECIFICATIONS

- Maximum voltage 8kV; maximum amperage 400A
- Standard ambient temperature: -40°C to +80° C (-40°F to +176°F)
- Standard body finish: Bare aluminum alloy A365.2
- Standard hardware: Stainless Steel / Brass
- Standard contacts: Silver-plated Copper/Brass
- Available in Cable Range from 35 - 185mm² (#2 – 350MCM)
- Reusable Termination Kit

COMPLETE COUPLER PART NUMBERING GUIDE



8kV Male-Female Coupler System c/w HD Bolted, Roll-over Skid

ORDERING PROCEDURE:

Determine the

- Maximum current Amps required
- Cable size (*please specify Manufacture and/or OD of Cable*)
- Required Male or Female contacts
- Cable or Equipment-mounting

Options for 8kV Couplers:

- Bare metal or Powder-coated (Select Color Code)
- 1 or 2 Live-Line Indicators (2 available with Adapters)
- Straight-Through or Rotated-Phases (Adapters)
- Fitted with Kirk-Key System

COUPLER DIMENSIONS & WEIGHTS

COUPLER PART NUMBER & DESCRIPTION	DIMENSIONS (mm)	WEIGHT (kg)	DIMENSIONS (in)	WEIGHT (lbs)
CSM8400 (Standard, Cable-Mount Coupler, Male contacts)	661 x 233 x 233	17	26 x 9.25 x 9.25	37.5
CSF8400 (Standard, Cable-Mount Coupler, Female contacts)	687 x 233 x 233	17.6	27 x 9.25 x 9.25	38.8
EMM8400 (Standard, Equipment-Mount Coupler, Male contacts)	338 x 233 x 233	13.4	14.25 x 9.25 x 9.25	31
EMF8400 (Standard, Equipment-Mount Coupler, Female contacts)	365 x 233 x 233	14	13.25 x 9.25 x 9.25	29.8